



ANLY CONTROLLER

EP4-1 DIGITAL DC VOLTAGE PROTECTIVE RELAY



CHARACTERISTIC :

- Digital voltage indicator and fault detector
- Over voltage detection with 0.1sec~10sec tripping delay
- Under voltage detection with 0.1sec~10sec tripping delay
- Manual / Auto Reset selectable - 1sec or 5sec auto reset tripping delay

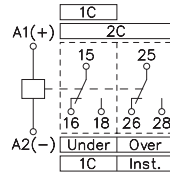
SPECIFICATION :

Operating voltage	DC(V): 8 - 60
Allowable operating voltage range	85~110% of rated operating voltage
Rated frequency	N/A
Reset time	1S / 5S
Display	Display resolution $\pm 1\%$
Contact rating	250VAC 5A (resistive load)
Power consumption	Approx. 1.5W
Life	Mechanical: 5,000,000 times Electrical: 100,000 times
Ambient temperature	-10 ~ +50°C (without condensation & freezing)
Ambient humidity	MAX 85%RH (without condensation)
Altitude	MAX 2000m
Weight	Approx. 130g

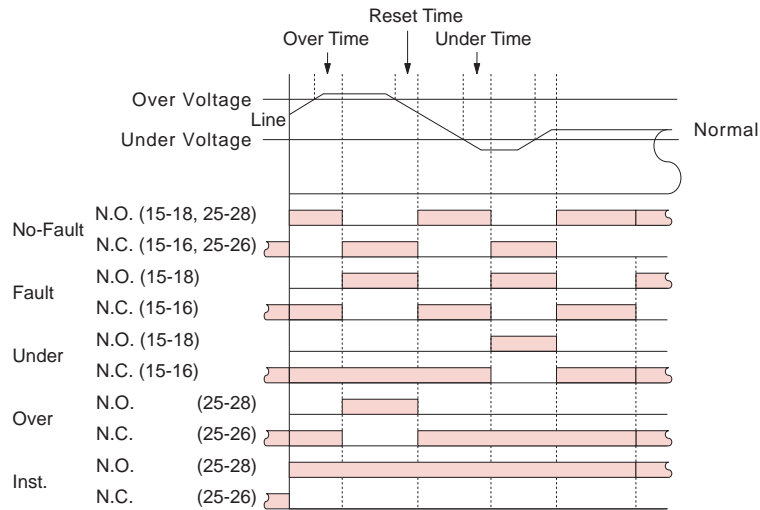
TYPE SELECTION :

Output contact		1C No-Fault	1C Fault	2C Over&Under Fault
Voltage detect range	8 ~ 60VDC	EP4-110601	EP4-110602	EP4-110603
Output contact		2C Inst.&No-Fault	2C No-Fault	2C Over&Under No-Fault
Voltage detect range	8 ~ 60VDC	EP4-110604	EP4-110605	EP4-110606

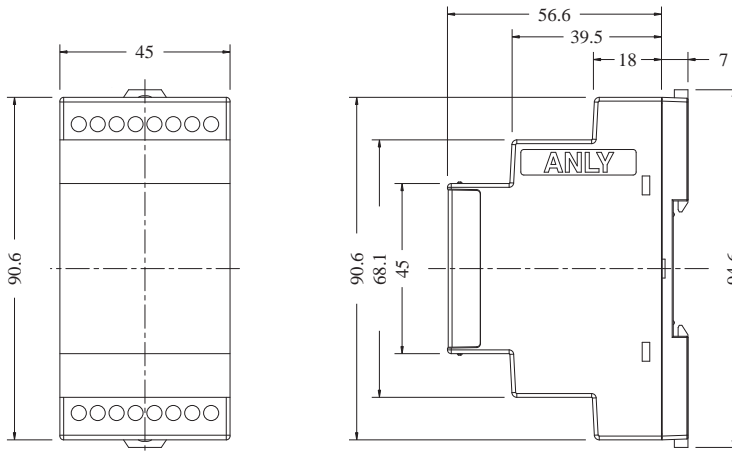
CONNECTION :



TIMING CHART :



DIMENSIONS : (mm)



Tolerance: ±0.1

ANLY ELECTRONICS CO., LTD.

<http://www.anly.com.tw>

TAIWAN MAIN OFFICE : ANLY ELECTRONICS CO., LTD.

No.19, Lane 202, Fushou St., Xinzhuang Dist., New Taipei City 242, Taiwan
 TEL: +886-2-2996-3202 FAX: +886-2-2996-2017

HONG KONG OFFICE : ANLY ELECTRONICS (HK) LTD.

Flat K, 13/F, Edward Mansion, 141 Prince Edward Road W., Kowloon, Hong Kong
 TEL: +852-2397-2505 FAX: +852-2397-6080

CHINA OFFICE : ANLY TECHNOLOGY (WUXI) CO., LTD.

2F, Building A, Plot 1, No. 28, Zhanhong Rd., Xinwu Dist., Wuxi, Jiangsu, P.R.China
 TEL: +86-510-85304801-3

MALAYSIA OFFICE : JUSTY ELECTRONICS (M) SDN. BHD.

No.1, Jalan 6/89B, Kawasan Perindustrian Trisegi, Batu 3 1/2 Off Jalan Sungei Besi, 57100 Kuala Lumpur, Malaysia
 TEL: +60-3-7983-5758 FAX: +60-3-7981-5052

INDONESIA OFFICE : PT. ANLY ELECTRONICS INDONESIA

Jl. Pangeran Jayakarta 117/B9, Jakarta Pusat, 10730 Indonesia
 TEL: +62-21-624-8436 FAX: +62-21-626-1228